

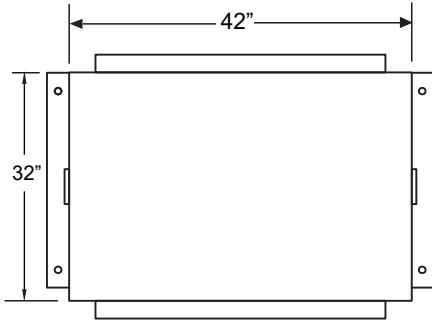
Sonoran 3 Series

Conduit and Cabinet Dimensions

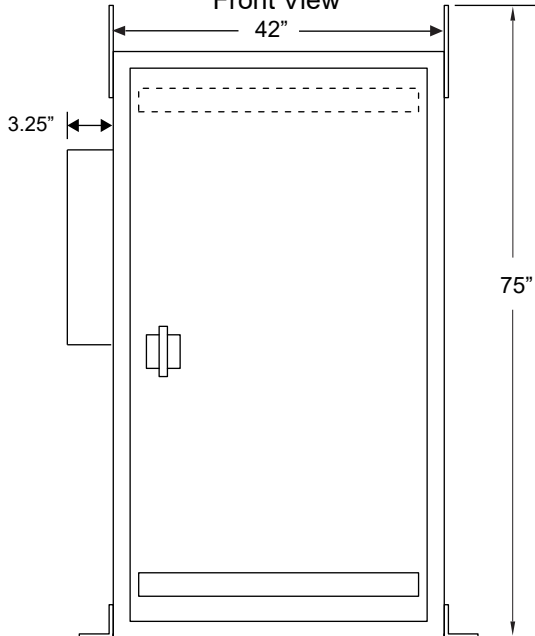
Per code requirements, leave 3" on each side of the cabinet, including the back, and a 3 foot clearance in the front.
*Contact factory for special conduit access arrangements.



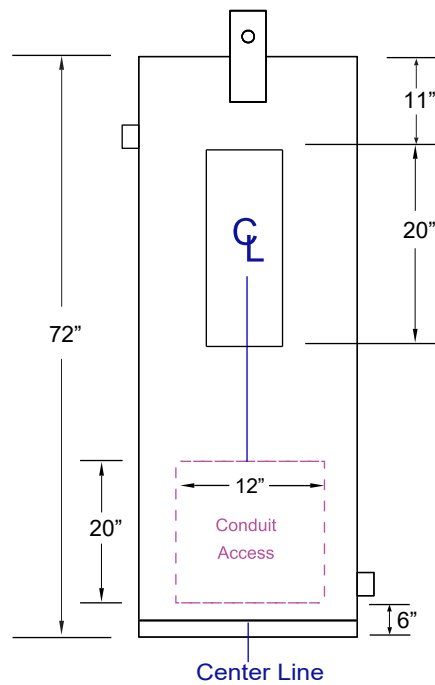
Top View



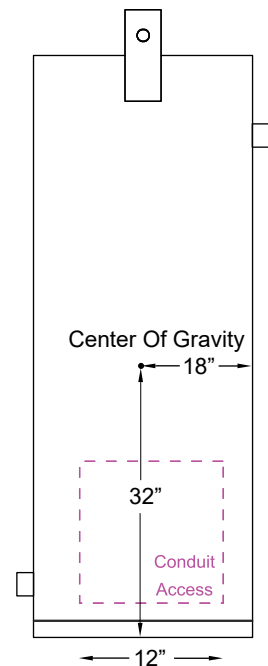
Front View



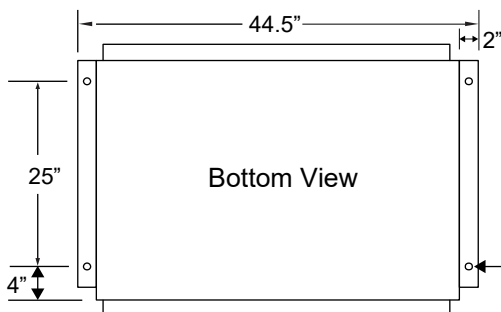
Left Side View



Right Side View



Bottom View



Seismic Mounting Bracket
Holes
3/4"
(Typical 4 places)

Notice: This drawing contains confidential and proprietary data. All design, manufacturing, reproduction, use and sale rights are expressly reserved. The recipient agrees by accepting this document, not to supply or disclose any information regarding it to any unauthorized person, or to incorporate this data into any other design or use thereof. All patent rights are expressly reserved.